



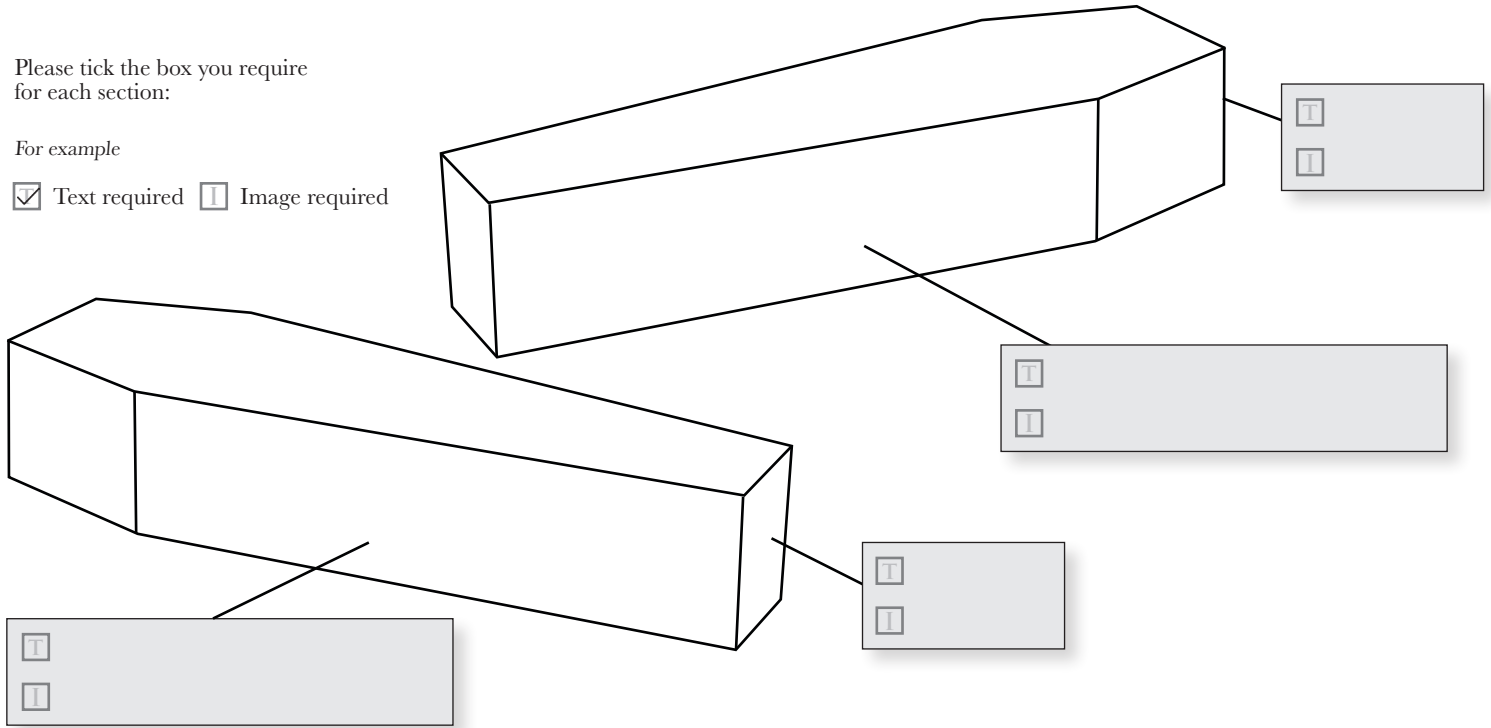
J C WALWYN & SONS LTD

ORDER FORM

Please tick the box you require for each section:

For example

Text required Image required



CUSTOMER DETAILS

Company Name: _____

Size: _____

Telephone: _____

Required delivery date: _____

Email: _____

How did you hear about us?: _____

Ordered by: _____

USAGE & APPEARANCE

Usage:

- Burial
- Cremation

Material:

- Veneered Oak
- Veneered Mahogany
- Colour _____

FITTINGS & FONT

Colour:

- Gold
- Silver
- Unfitted

Type:

- Rose
- Lily
- Other

Font style:

Font colour:



Airfield Industrial Estate, Ashbourne, Derbyshire DE6 1HA

T 01335 345555 | F 01335 346028 | E sales@jcwalwyn.co.uk | W www.jcwalwyn.co.uk

